

POSEIDON

Seismic Monitoring & Alarm System

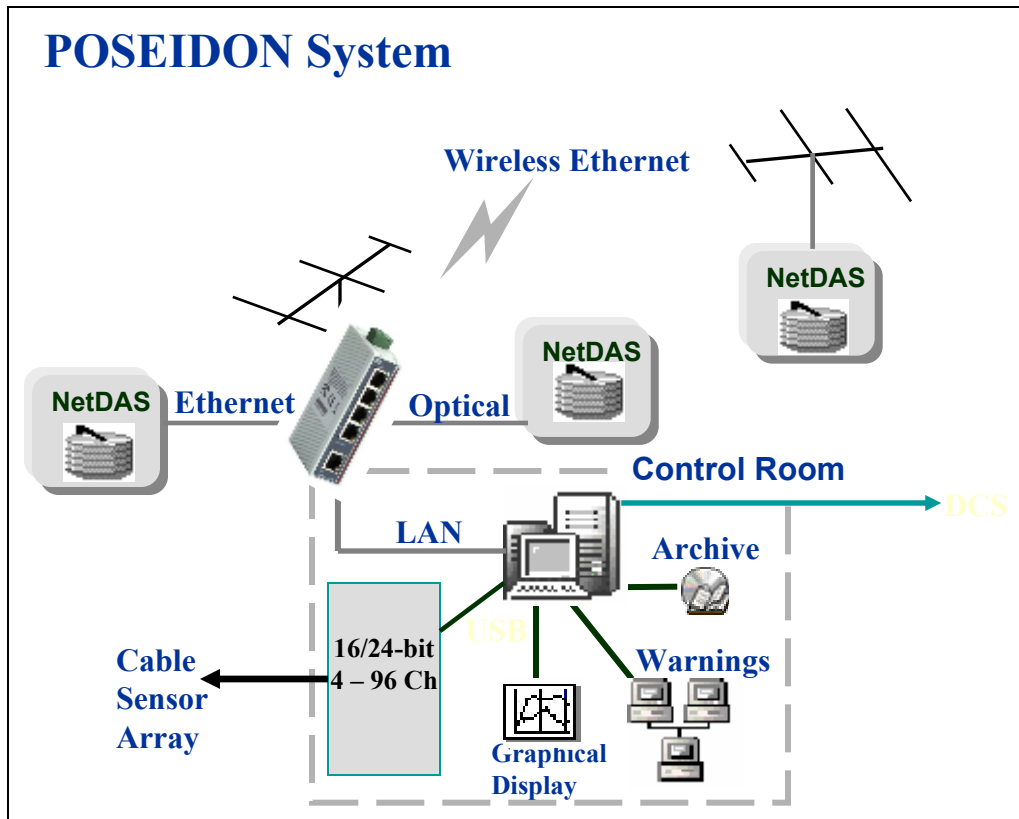
1245 Bridger Hills Drive
Bozeman, MT 59715 USA
www.daqsystems.com
+1 406-599-0985

POSEIDON is a facilities monitoring and warning system compatible with existing cable infrastructure for easy and low-cost connectivity. NetDAS sensory data are transmitted continuously to the Poseidon Base Station via Ethernet, wireless, fiber optic or analog cable. Poseidon also finds application for down-hole and wired sensor arrays. The Base Station provides remote access, real-time recording and graphical display. Multiple trigger modes are available to capture data of interest. Warning messages, status indicators, relay closure, specialized triggering and bridging to other plant networks are also provided. POSEIDON is configured to meet each customer's requirements and is delivered as a turn-key system with complete operational manuals, on-site training and Factory/Site Acceptance Test procedures.

Features and applications

- O&G, large structures, rail lines and geothermal
- CO2 sequestration monitoring
- Configurable in cost and capabilities
- Failsafe and redundant operation
- Seismic alarm/shutdown/early warning
- Uses existing Ethernet, wireless, or fiber optic cabling
- Hard-wired arrays of up to 32 channels at 24-bit
- Relay, serial, and Internet messaging
- Status and warning lights
- Operates under *Microsoft Windows*
- Unlimited expandability
- Acceleration, displacement, pressure and other sensors
- Remote accelerometer self-test
- Interface to DCS
- Delivered as turn-key system with on-site support available





Specifications

Timing options	GPS (10- μ sec accuracy) or local oscillator
Channel count	Unlimited
Analog inputs	24-bit; 10—1000 samples/sec; up to 120-dB dynamic range
Triggers	Level; average (STA/LTA); CAV; spectral analysis (OBE)
Self-test	Automatic programmable self-test of accelerometers with error flag
Warnings	RS-232; relay contacts; TCP/IP messages; TTL; LEDs
Networks	TCP/IP; Ethernet; fiber optic (optional bridge to industrial networks)
Central computer	Industrial server; TFT monitor; keyboard; trackball mouse
Bundled software	Graphical display; triggers; logger; formatter; data concentrator
Auxiliary I/O	Digital I/O; 10-bit analog
NetDAS interface	Remote Desktop (Windows), SSH (Linux)
Operating system	<i>Microsoft Windows</i> (central computer and server)

Contact Information

DAQ Systems, Bozeman, MT, USA
Voice: +1 406-599-0985
Email: inquiry@daqsystems.com
www.daqsystems.com